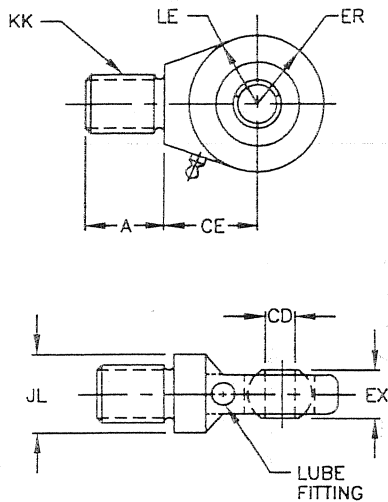


Spherical Bearing Mounting Lynair Model UB 1 1/2" thru 6" Bore

LYNAIR SERIES A Pneumatic And LH Hydraulic Cylinders

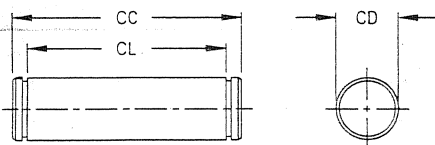
Lynair offers the below accessories to assist in your cylinder mounting requirements. Spherical rod eyes attach to rod ends with matching thread size. Close tolerance pivot pins fit spherical rod eyes and clevis brackets. Clevis brackets include pin and mate with spherical bearing mounts on either end of cylinder.

SPHERICAL ROD EYE



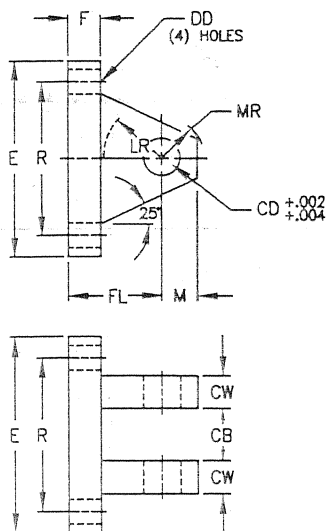
BORE SIZES						
Series H	1 1/2	2 & 2 1/2	3 1/4	4	5	6
Series A & LH	1 1/2, 2 & 2 1/2	3 1/4, 4 & 5	6 & 8	10	12	14
ROD EYE						
Part No.	RES-05	RES-07	RES-10	RES-13	RES-17	RES-20
CD	.5000 ^{-0.0005}	.7500 ^{-0.0005}	1.0000 ^{-0.0005}	1.3750 ^{-0.0005}	1.7500 ^{-0.0005}	2.0000 ^{-0.0005}
A	1 1/16	1	1 1/2	2	2 1/8	2 7/8
CE	7/8	1 1/4	1 7/8	2 1/8	2 1/2	2 3/4
EX	7/16	2 1/32	7/8	1 3/16	1 17/32	1 3/4
ER	7/8	1 1/4	1 3/8	1 13/16	2 3/16	2 5/8
LE	3/4	1 1/16	1 7/16	1 7/8	2 1/8	2 1/2
KK	7/16-20	3/4-16	1-14	1 1/4-12	1 1/2-12	1 7/8-12
JL	7/8	1 5/16	1 1/2	2	2 1/4	2 3/4
LOAD CAPACITY LBS.	2,600	9,400	16,800	28,600	43,000	70,000

PIVOT PIN



BORE SIZES						
Series H	1 1/2	2 & 2 1/2	3 1/4	4	5	6
Series A & LH	1 1/2, 2 & 2 1/2	3 1/4, 4 & 5	6 & 8	10	12	14
PIVOT PIN						
Part No.	CPS-05	CPS-07	CPS-10	CPS-13	CPS-17	CPS-20
CD	.4997 ^{-0.0004}	.7497 ^{-0.0005}	.9997 ^{-0.0005}	1.3746 ^{-0.0006}	1.7496 ^{-0.0006}	1.9996 ^{-0.0007}
CL	1 3/16	2 1/32	2 1/2	3 5/16	4 7/32	4 15/16
CC	2 1/8	2 29/32	3 13/32	4 15/32	5 17/32	5 17/32

CLEVIS BRACKET



BORE SIZES						
Series H	1 1/2	2 & 2 1/2	3 1/4	4	5	6
Series A & LH	1 1/2, 2 & 2 1/2	3 1/4, 4 & 5	6 & 8	10	12	14
CLEVIS BRACKET						
Part No.	CBS-05	CBS-07	CBS-10	CBS-13	CBS-17	CBS-20
CD	1/2	3/4	1	1 3/8	1 3/4	2
CB	7/16	2 1/32	7/8	1 3/16	1 17/32	1 3/4
CW	1/2	5/8	3/4	1	1 1/4	1 1/2
DD	13/32	17/32	17/32	2 1/32	2 9/32	2 9/32
E	3	3 3/4	5 1/2	6 1/2	8 1/2	10 5/8
F	1/2	5/8	3/4	7/8	1 1/4	1 1/2
FL	1 1/2	2	2 1/2	3 1/2	4 1/2	5
LR	15/16	1 3/8	1 11/16	2 7/16	2 7/8	3 5/16
M	1/2	7/8	1	1 3/8	1 3/4	2
MR	5/8	1	1 3/16	1 5/8	2 1/16	2 3/8
R	2.05	2.76	4.10	4.95	6.58	7.92